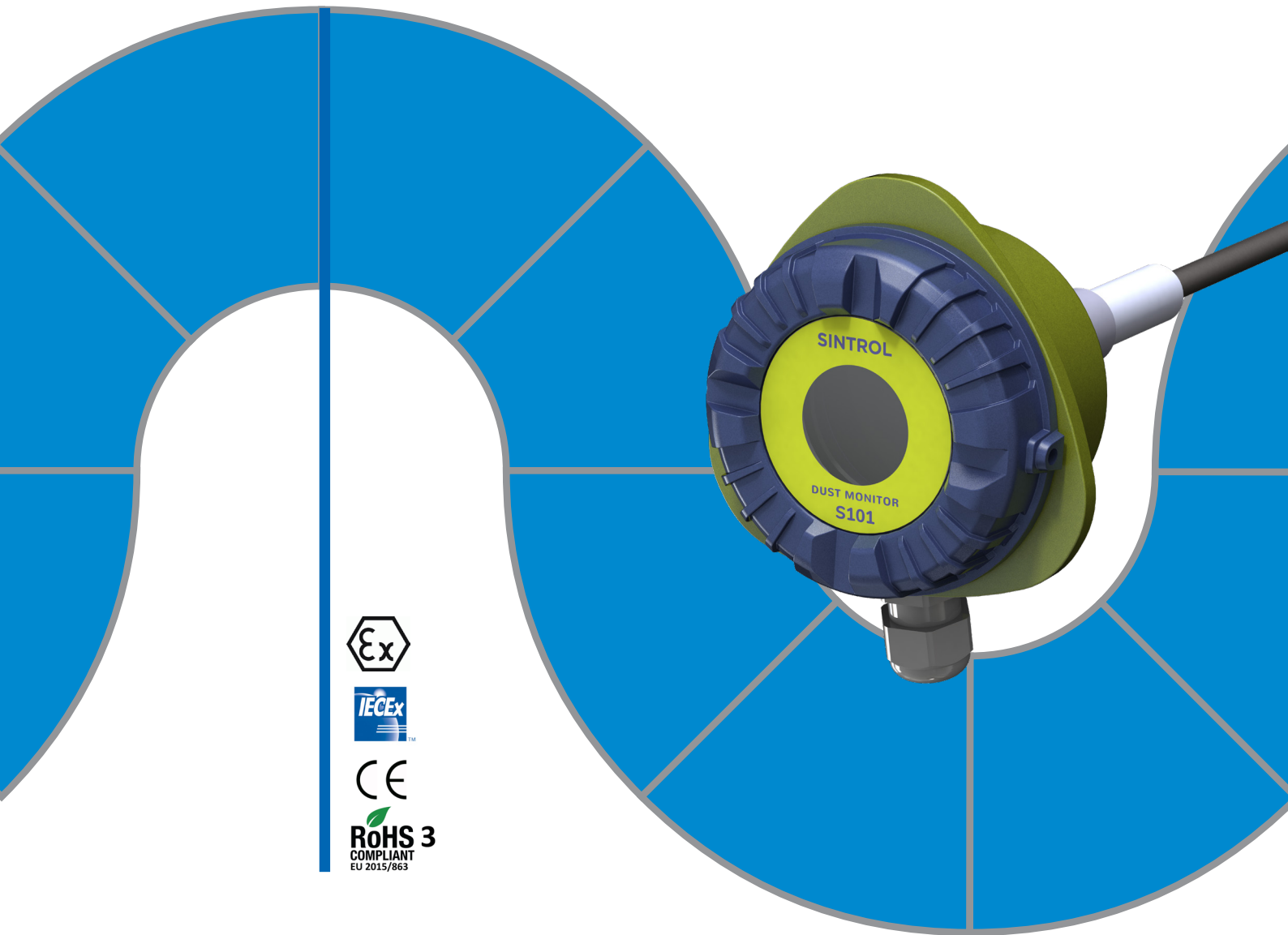
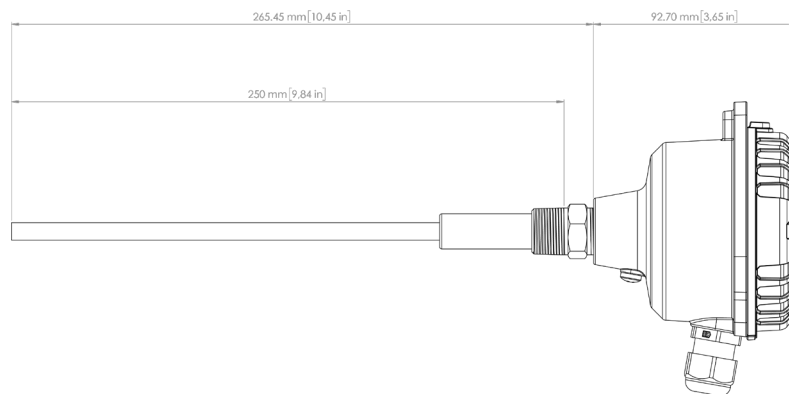
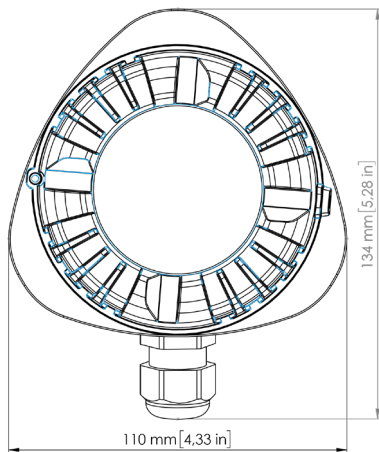


# S101 / S103 Ex

## Dust Detector for Filter Monitoring



- High performance dust detector
  - Detects any particulates in the air-flow
  - Very fast response to any dust leaks
- S101 comes with two relays to indicate dust alarms
- S103 comes with an active and isolated 4...20 mA output
- Rugged, IP66 rated design for harsh industrial conditions
- Visible Green, Yellow and Red LED to indicate dust levels
- Easy start-up and commissioning due to
  - Self teaching Auto Setup function
  - Selectable FAST, MEDIUM and SLOW response models



Product Name	S101 PC901005 / S101 Ex PC901006 / S103 PC901010 / S103 Ex PC901011
Measured objects	Solid particles in gas flow
Measurement principle	Inductive Electrification
Measurement range	Detection limit 0,01 mg/m <sup>3</sup> Max. range up to several g/m <sup>3</sup> depending on operating conditions
Ingress protection	IP66
Power supply	24 V DC ±10 %
Power consumption	1 W
Output signals	S101: 2 × adjustable solid-state relays, max. 30 V DC / 200 mA S103: Active and isolated 4...20 mA output, max. loop resistance 500 Ω
Communication interface	RS-485
Communication protocol	<ul style="list-style-type: none"> <li>Modbus RTU</li> <li>Sintrol network RS485</li> </ul>
Cable gland size	PG11
Process connection	Weld-on process connection socket, 1/2 Inch, NPT, L=34 mm
<b>Physical characteristics</b>	
Enclosure	Aluminium
Probe length	250 mm. (9,84 in), can be shortened by the user
Wetted parts	<ul style="list-style-type: none"> <li>Probe: Stainless steel (316L)</li> <li>Insulation: Polyether ether ketone (PEEK)</li> </ul>
Weight	0,7 kg (1.54 lb)
<b>Ambient conditions</b>	
Temperature	-40 ... 60 °C (-40 ... 140 °F) Ex models -30...60 °C (-22 ... 140 °F)
Humidity	Max. 90 % relative humidity (non-condensing)
<b>Process conditions</b>	
Temperature	Max. 250 °C (482 °F) / Ex models Max Temp. 200 °C (392 °F)
Pressure	Max. 200 kPa (29 psi)
Flow speed	Min. 3 m/s (9.84 ft/s)
Hazardous location approvals Applicable to Ex models	ATEX: II 3D Ex tc IIIC T80 °C Dc -30 °C ≤ Tamb ≤ +60 °C IECEX: Ex tc IIIC T80 °C Dc -30 °C ≤ Tamb +60 °C

## SINTROL GROUP OFFICES

### FINLAND WORLD- WIDE

Helsinki  
Tel. +358 9 5617 360  
info@sintrol.com  
www.sintrol.fi  
www.sintrol.com

### INDIA Representative Office

New Delhi  
Tel. +91 9811676061  
india@sintrol.com

### CHINA Representative Office

Beijing  
Tel. +86 1 87888681  
china@sintrol.com  
cn.sintrol.com

### JAPAN Representative Office

Tokyo  
Tel. +81 90 8585 1301  
japan@sintrol.com

