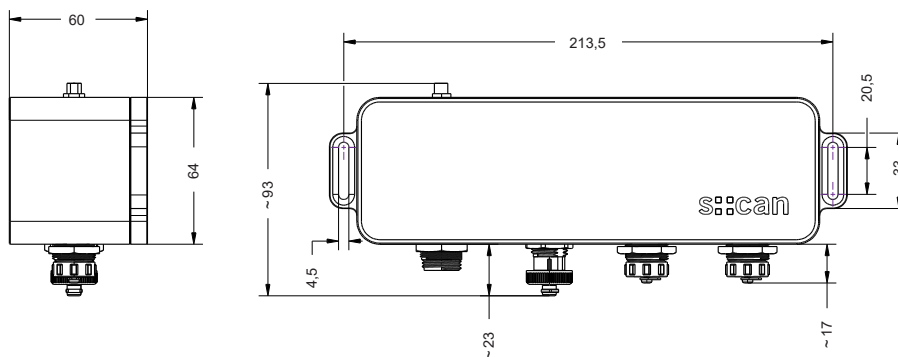


con::line

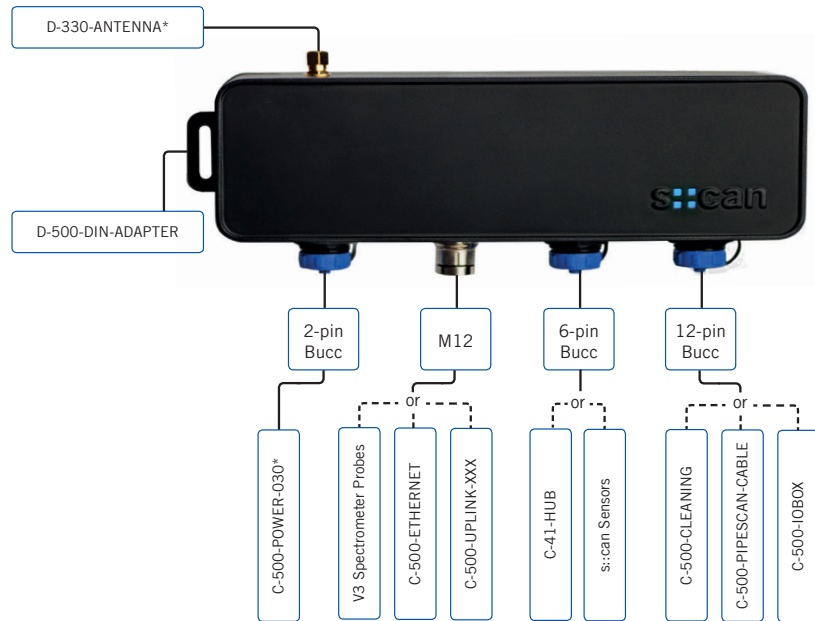
- s::can's low power terminal for battery operated, remote water quality monitoring
- 4G data communication to any cloud system through secure SFTP or SCP connections
- Direct plug connection to s::can's pipe::scan and s::can probes
- On board storage of measurement data up to one year
- Local access to terminal through WLAN interface using lo::Tool
- MODBUS TCP or MODBUS RTU uplink to SCADA systems



technical specification			
onboard memory	8 GB	power consumption (typical)	1,5 W without sensors
interface to s::can sensors	modbus RTU through 6-pin buccaneer plug (sensors) and 12 pin buccaneer plug (pipe::scan)	power consumption (sleep model)	< 50 mW
interface to third party sensors	2 x multi-purpose inputs: current OR voltage OR pulse counting	power consumption (max.)	18 W with full sensor load
network connection	built-in 4G LTE connection	SIM card format	size (1FF)
local operation	lo::Tool through WLAN	data security	TLS 1.3, SSH encryption, hardware encryption of data
antennas	CELLULAR: 2J2124B-B05H with 3 m cable 4G / WLAN: built-in antenna	remote configuration	config file pull from server
antenna plug	SMA (fm)	supply outputs	1 x 12V 6 pin buccaneer, 4 x 12V 12 pin buccaneer (shared between sensors and cleaning devices), 1 x 5V 12 pin buccaneer individually switchable
frequency bands	GSM, DCS, WCDMA, LTE, GNSS	dimensions (width x height x depth)	22,6 x 6,0 x 6,4 cm
interface to SCADA	modbus RTU and TCP (through M12 plug)	housing material	polyurethane
cleaning device support	ruck::sack, auto::brush, cleaning valve	weight (min.)	approx. 500 g (1.1 lbs)
cloud transfer	CSV file push through SFTP, SCP REST API data pull	operating temperature	-20 ... 60 °C
device updates	local or over the air update	installation / mounting	direct wall mounting, top hat rail mounting with adapters
power supply	external 2-pin buccaneer plug 9-18V DC, <1,5 A	ingress protection class	IP67
		part number	D-500-012
		certified according to	RED, FCC, ISED, PTCRB

recommended accessories	
part number	article name
S-500-08-IO	Io::Tool - s::can monitoring station software for 8 parameters
D-500-DIN-ADAPTER	DIN Rail mounting set (for con::line)
C-500-CLEANING	adapter for autobrush/ruck::sack/B44 claning valve for con::line, IP68
C-500-ETHERNET	network adapter cable 30 cm
C-500-PIPESCAN-CABLE	12 pin Buccaneer zu pipe::scan hub, 10m cable
C-500-POWER-030	power cable (con::line), 2 pin Buccaneer (loose ends), 3 m cable
C-500-UP-LINK-010	M12 modbus/ethernet to SCADA for con::line (loose ends) 1 m cable
C-500-UP-LINK-075	M12 modbus/ethernet to SCADA for con::line (loose ends) 7.5 m cable
C-500-IO-BOX	adapter box 12 pin Buccaneer to terminal clamps, 0.5 m cable IP67, 2 cable glands

con::line connections



* Included in the scope of delivery