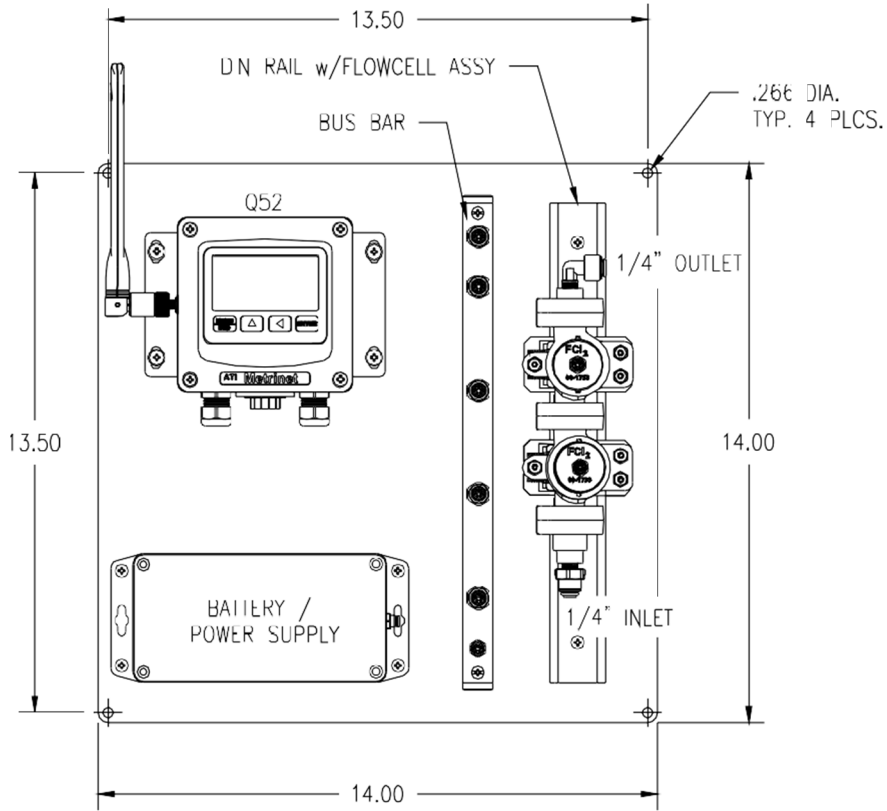
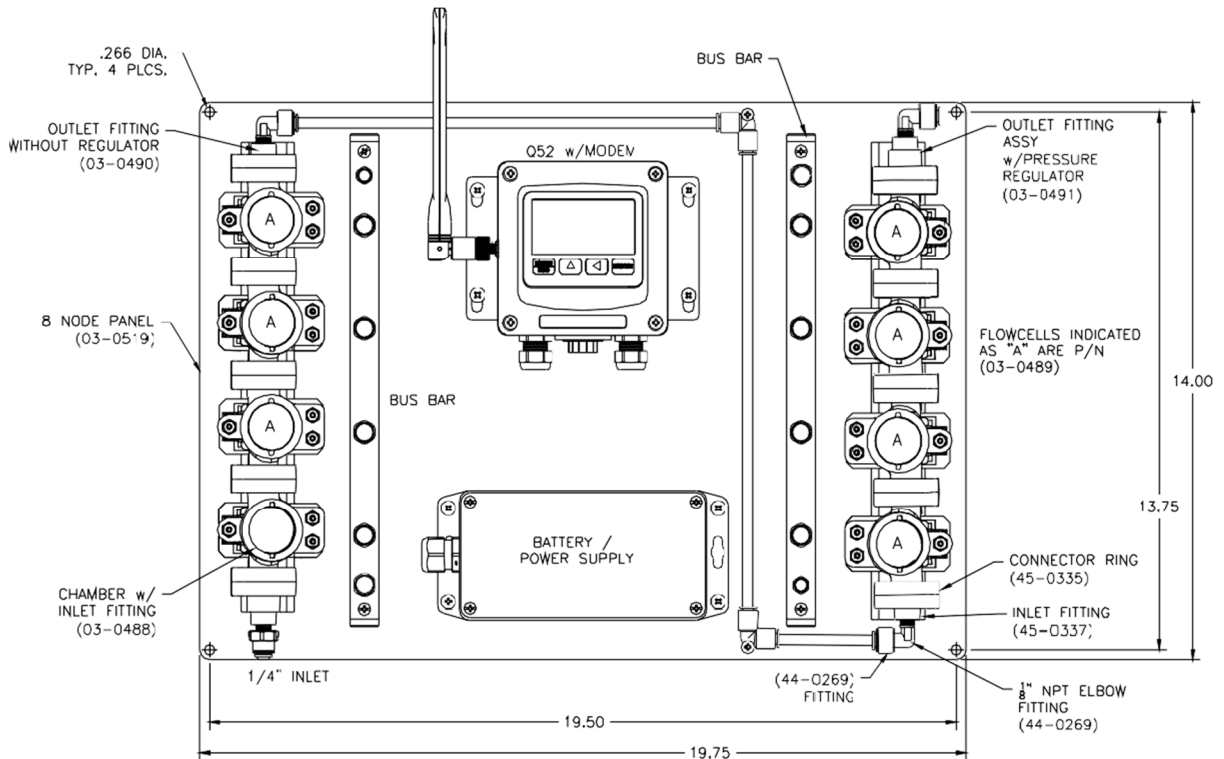


14" x 14" 1-4 Node System w/Mounting Plate

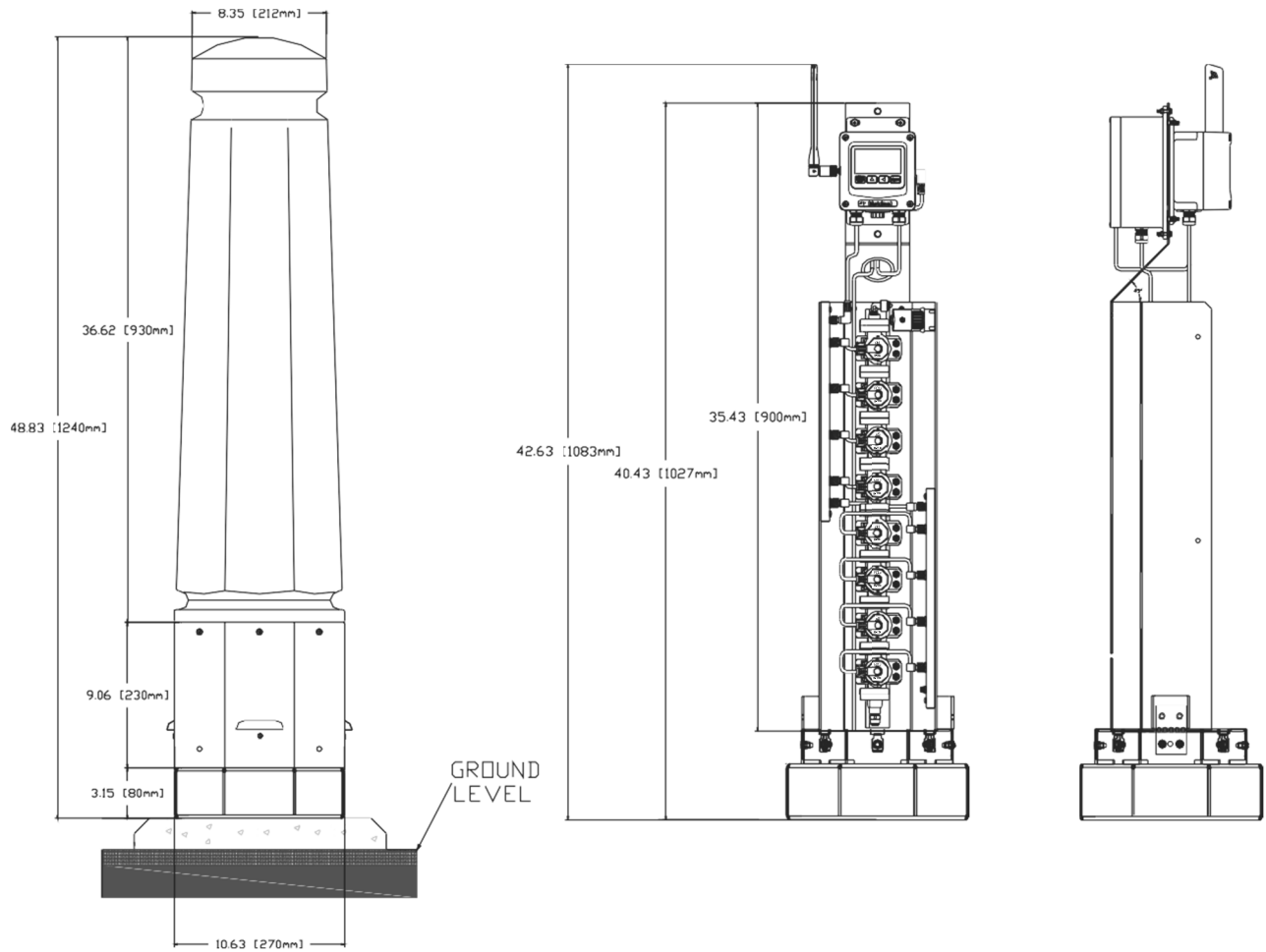


ATI-1152

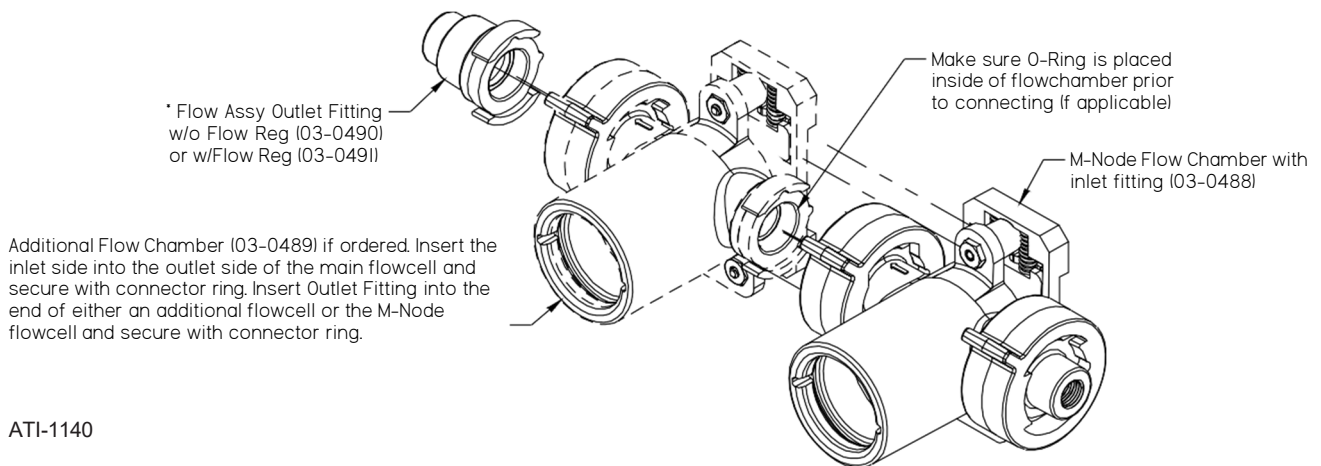
14" x 20" 5-8 Node System w/Mounting Plate



BOLLARD ENCLOSURE DETAILS



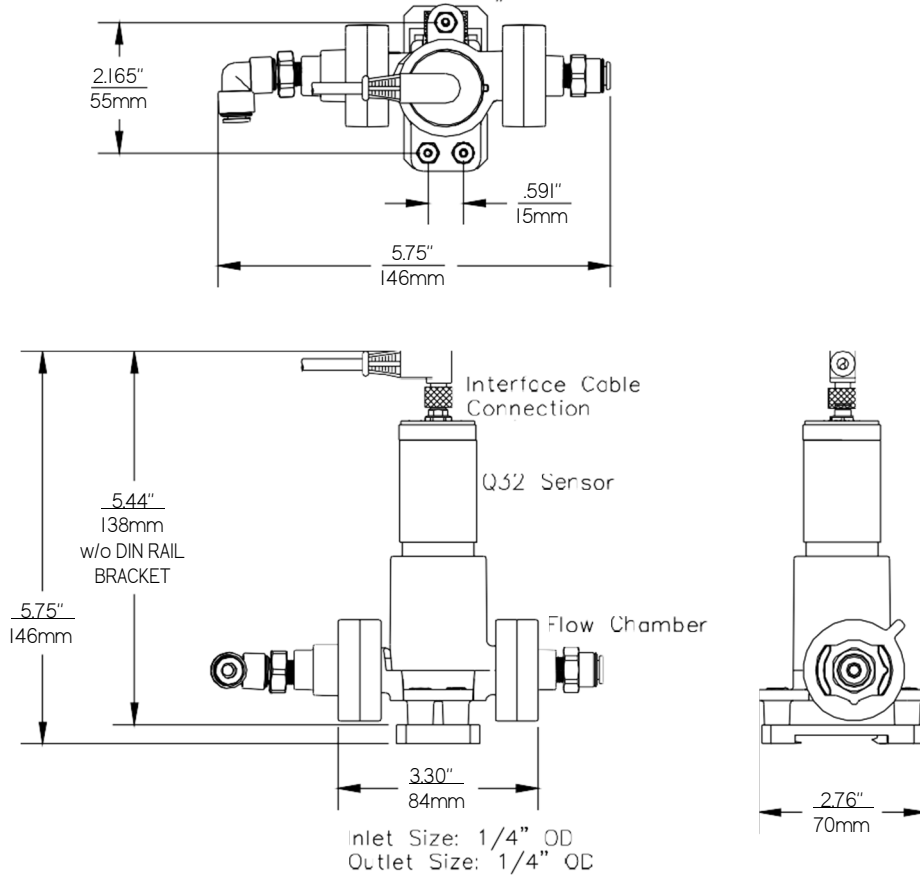
FLOWCELL CONFIGURATION DIAGRAM



ATI-1140

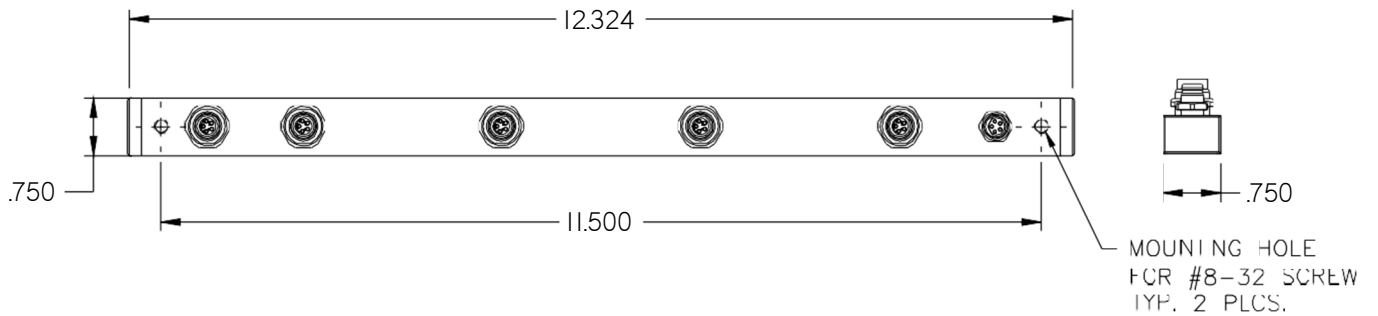
FLOWCELL DIMENSIONAL DRAWING

If using without Din Rail bracket mounting holes will accept up to #6 screw size



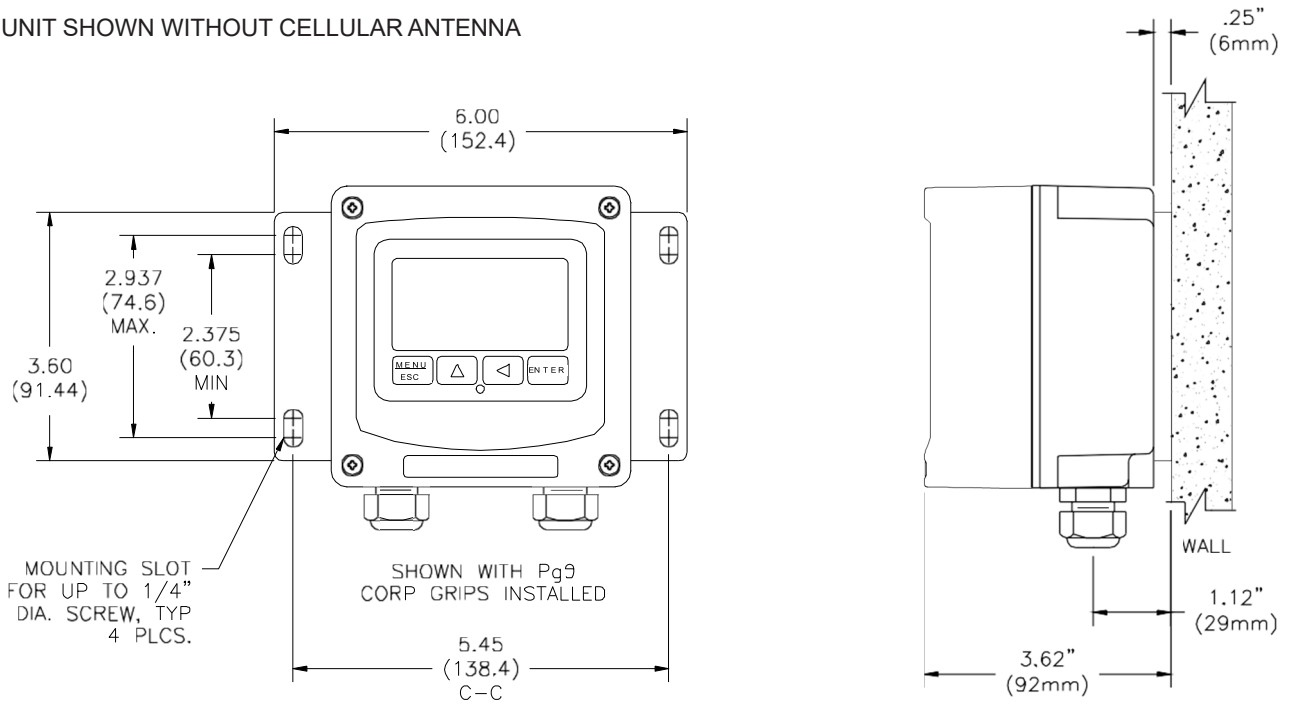
ATI-1145

BUS BAR DIMENSIONAL DRAWING



WALL MOUNTING

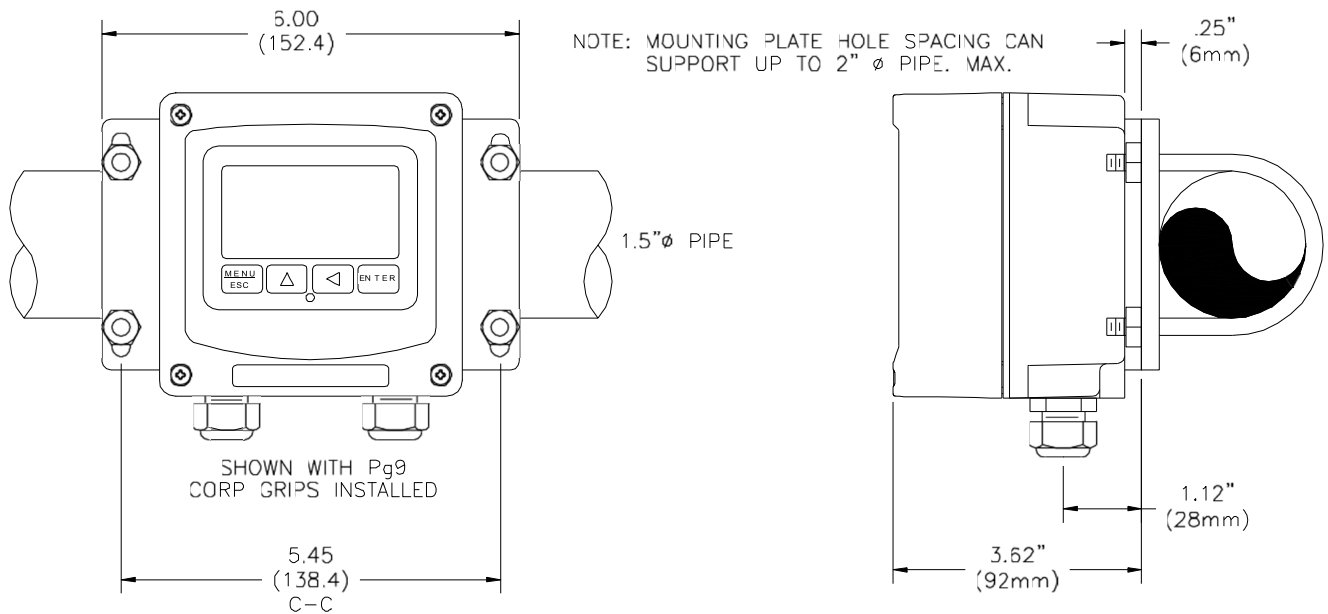
UNIT SHOWN WITHOUT CELLULAR ANTENNA



ATI-1033

PIPE MOUNTING

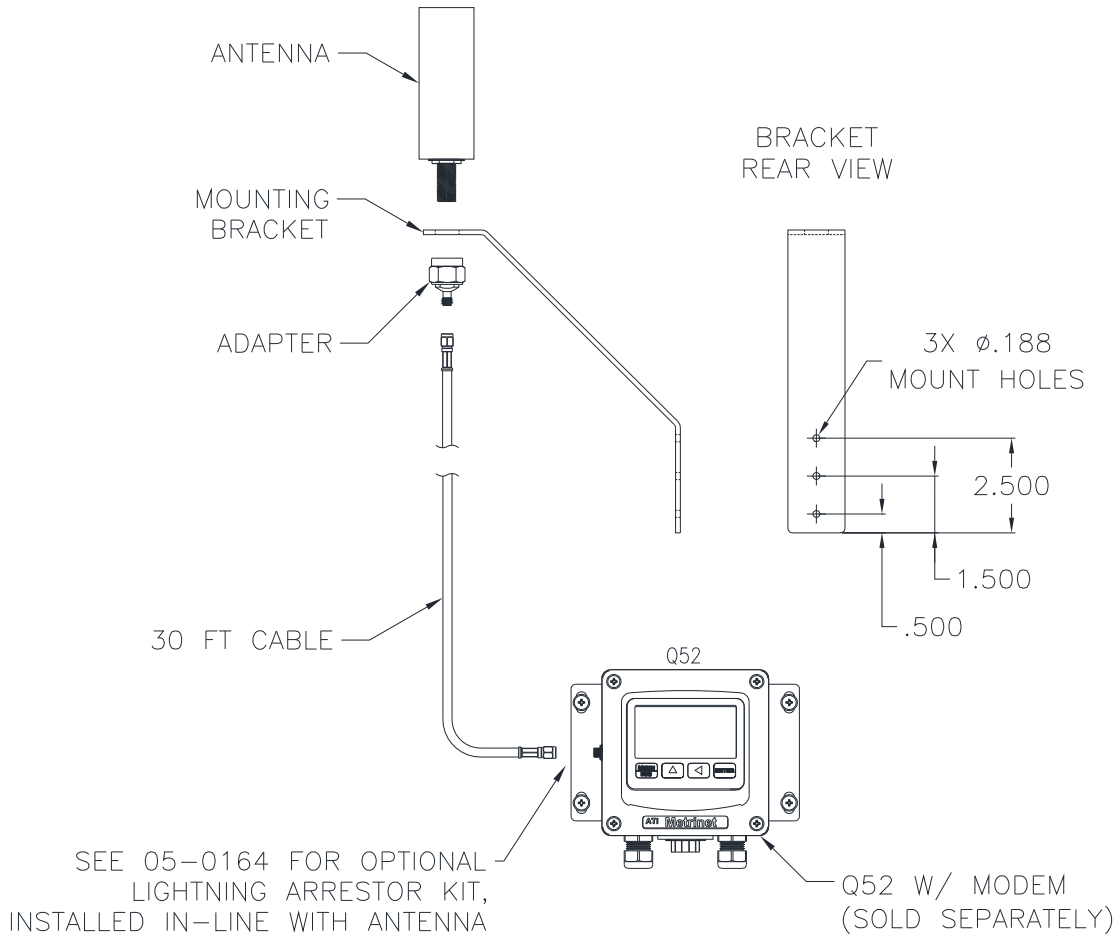
UNIT SHOWN WITHOUT CELLULAR ANTENNA



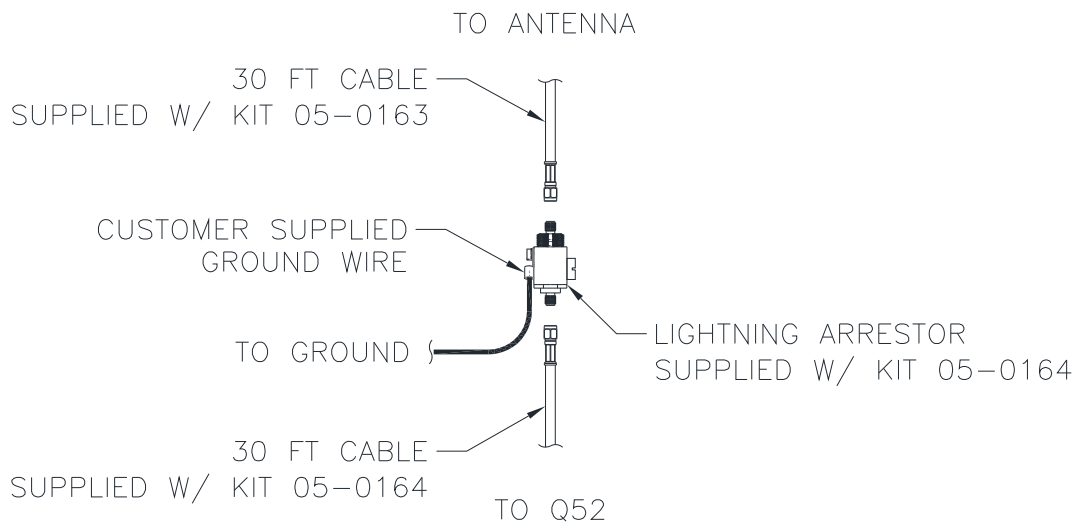
NOTE: PLATE MAY BE TURNED 90° FOR VERTICAL PIPE MOUNTING

ATI-1034

05-0163, ANTENNA EXTENSION KIT



05-0164, OPTIONAL LIGHTNING ARRESTOR KIT

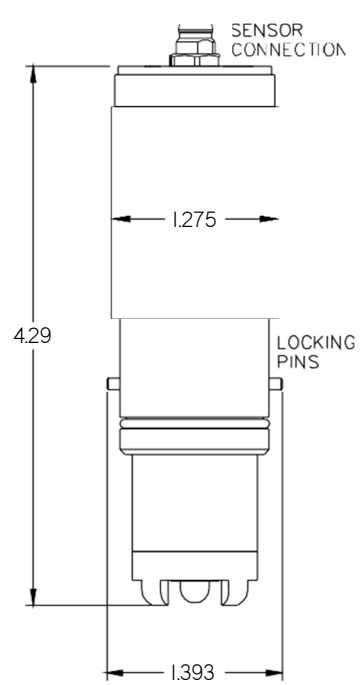
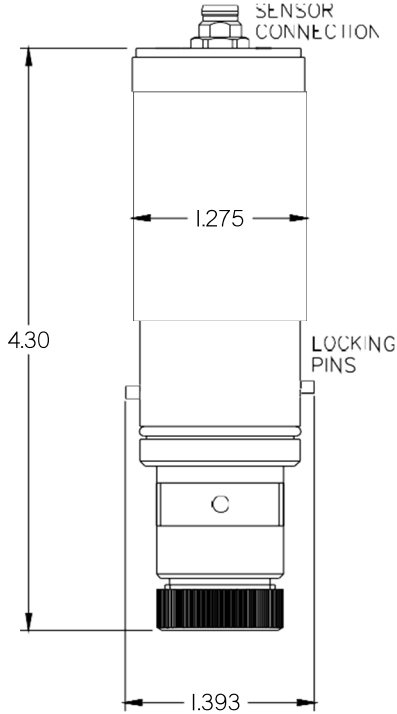


ATI-1227

SENSOR DIMENSIONAL INFORMATION

**FCI2, Comb. CI2, DO3, TC12
CIO2, PAA, D.O., NO2-, H2O2**

pH, ORP



2 Elect. Conductivity

Turbidity

